

TEMPERATURE CONTROLLER

Instrument Specification

A275

**A precision, high current micro switch,
Oil or Winding temperature controller for Alarm, Trip
and Cooler control suitable for seismic use.
Optional analogue output.**



- Configured as an Oil Temperature Indicator (OTI) or Winding Temperature Indicator (WTI) for simulation of transformer 'Hot Spot' temperature.
- ONAN/OFAF Dual gradient option
- Marine, Offshore and Transport versions available.
- Approved for seismic applications in association with BS142, IEC255
- High current switching (10 Amps)
- Maximum number of control switches '4'
- Extra long capillary length 60 metres
- Weatherproof case to IP55* (Higher specification versions available **)
- Maximum Pointer
- Fully compensated for ambient temperature
- Optional selectable analogue output
- Full Installation and Maintenance Instructions supplied

ISO 9001

BUREAU VERITAS
Certification



Accurate Controls Ltd.

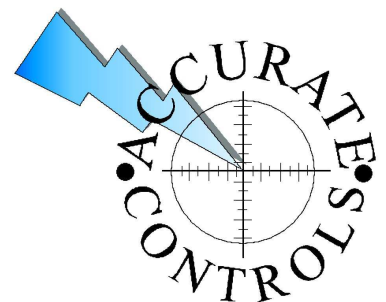
25 Cowley Road, Nuffield Industrial Estate,
Poole, Dorset, BH17 0UJ, United Kingdom.

Tel: +44 (0)1202 678108

Fax: +44 (0)1202 670161

e-mail: info@accurate-controls.ltd.uk

web: www.accurate-controls.ltd.uk



Indicating Scale:

Diameter:- 5.5" Angular Sweep – 270°
 Range: 0-120°C, 0-150°C, 0-160°C, 0-180°C, 30-150° C
 Accuracy: 0.5°C

Accuracy of Indication:

To Class 1: EN 13190:2001

Electrical Connections:

Full circuit diagram supplied with each instrument.
 All circuits insulation tested with 2000 Vac.
 Terminal block conductor size: 0.5 – 4.5mm²

Switch Configurations:

Maximum 4 Changerover (SPDT)
 Switch Type: Up to 10A @ 250Vac (Z136)
 Switch Type: Up to 3A @ 250Vac/DC (Z137)

Two switches can have adjustable differential for cooler

Winding Temperature simulation (where fitted)

Factory set gradients to customer specification
 Dual ONAN and OFAF gradients.
 Overload protection to 200% load
 Matching unit not required
 Suitable for 10A CT currents

Analogue Output (where fitted) :

0-10, 0-20, 2-10 & 4-20mA analogue output for interfacing with industry standard SCADA , substation control systems. (also digital or analog meters are available upon request)

Includes internal power pack with universal input voltage:

85-265Vac 47-63Hz or 48-360 Vdc

Standard Case:

Steel
 Blue powder coat paint.
 Electrical entry point: rear & bottom
 Surface mount.
 *Weatherproof to IP55—bottom capillary entry only

Capillary System:

Material: Capillary protected by stainless steel sheathing. Optional P.V.C. outer cover.

Length: 1.5 to 60 metres.

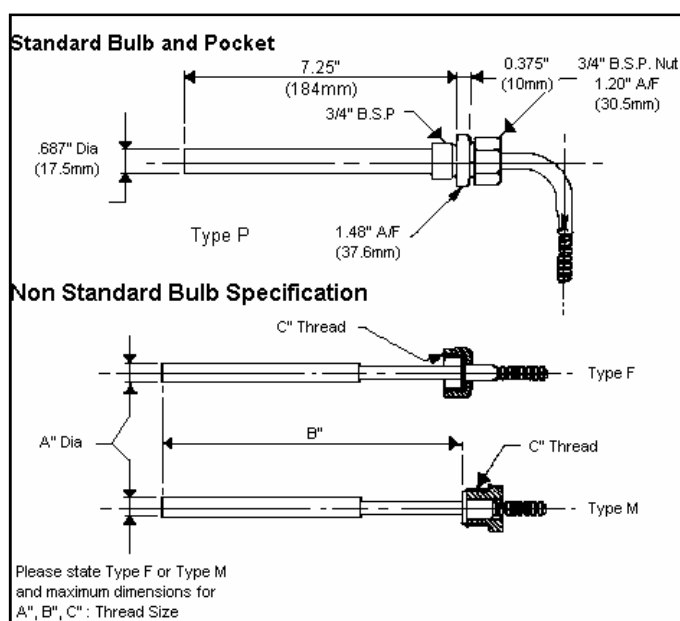
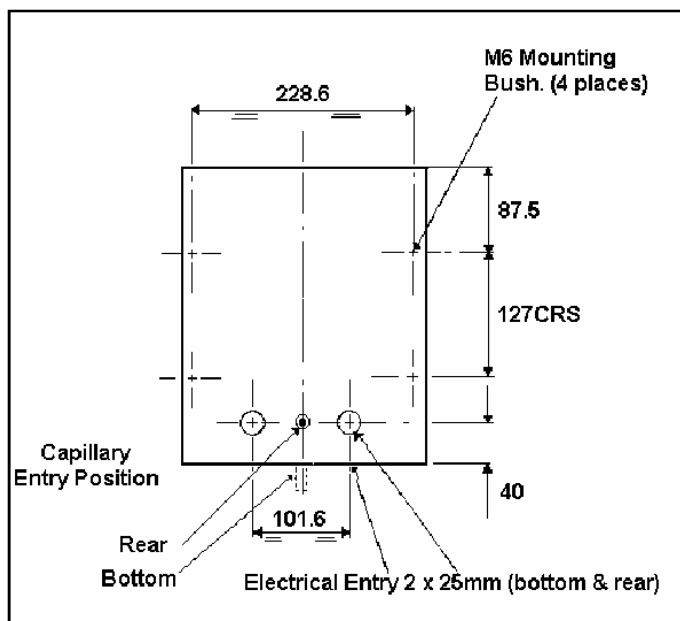
Case entry point: Top, rear or bottom

Ambient compensation as standard
 Bulb and pocket to suit customer requirements.

Options:

Anti-vibration mounts
 Anti-condensation heater.

** PVC coated capillary & other cases are available should the environment require it. Contact factory for details.



Full on site calibration and maintenance service available.
 Please contact Accurate Controls for technical assistance.