

ANALOGUE OUTPUT KIT FOR A131 & A200 CONTROLLERS

Instrument Specification

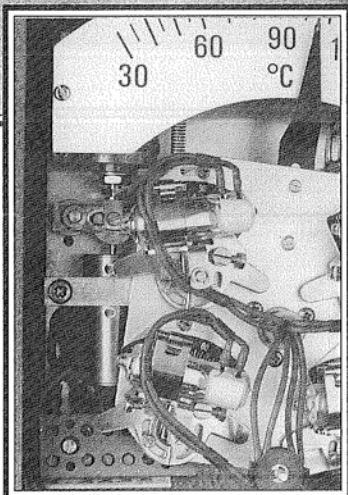
LV5



Retrofittable 4-20 or 0-10mA analogue output transducer for installation on A131 & A200 temperature controllers.



- Specifically for A131 & A200 temperature controllers
- Industry standard outputs in the range of 0-20mA available
- No repositioning of existing instrument components required
- User selectable output range
- User adjustable span and zero
- No alteration to instrument case required
- Universal DIN or surface mounted universal power supply
- On-site fitting, calibration and maintenance
- Full installation and maintenance instructions supplied



(Above)
LV5 Remote
Information
Conversion Kit
(Left)
LV5 fitted to
A131 Instrument



Issued: May 2005

Accurate Controls Ltd.

25 Cowley Road, Nuffield Industrial Estate,
Poole, Dorset, BH17 0UJ, United Kingdom.

Tel: +44 (0) 1202 678108

Fax: +44 (0) 1202 670161

email: info@accurate-controls.ltd.uk

web: www.accurate-controls.ltd.uk



© ACL 2005

Power Supply:

Universal input power supply
85-265Vac 47-63Hz
48-300Vdc

Power pack mounting:

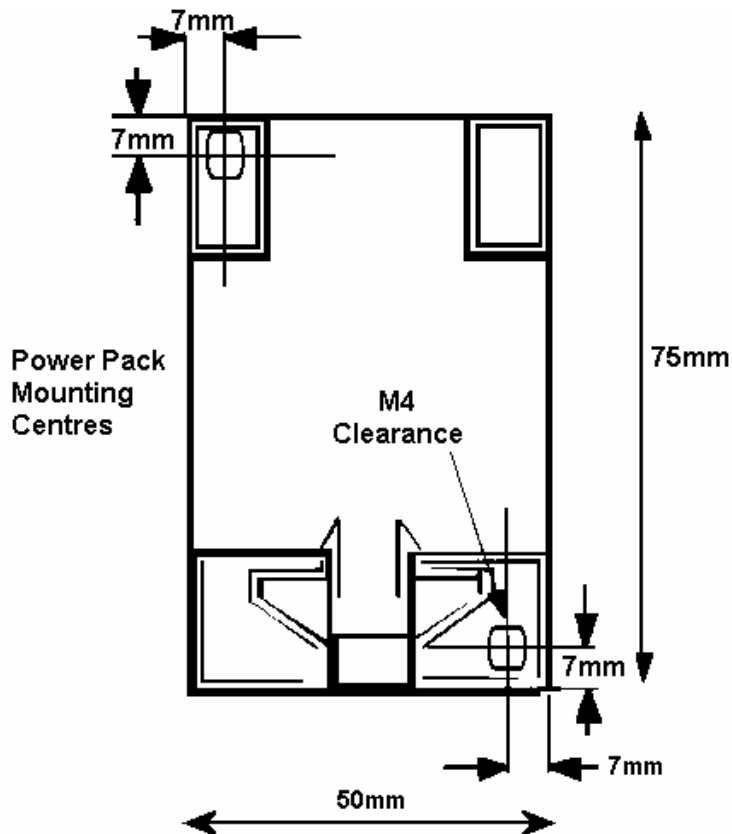
35mm top hat DIN rail
Surface mount with two off M4 fixing screws

Transducer:

Transducer mechanically isolated from the instrument and does not affect the operating mechanism.

Output Ranges:

Adjustable for: 0-10mA, 0-20mA and 4-20mA
Loop resistance: 300 ohms



On site installation, calibration and maintenance service available by Accurate Controls.