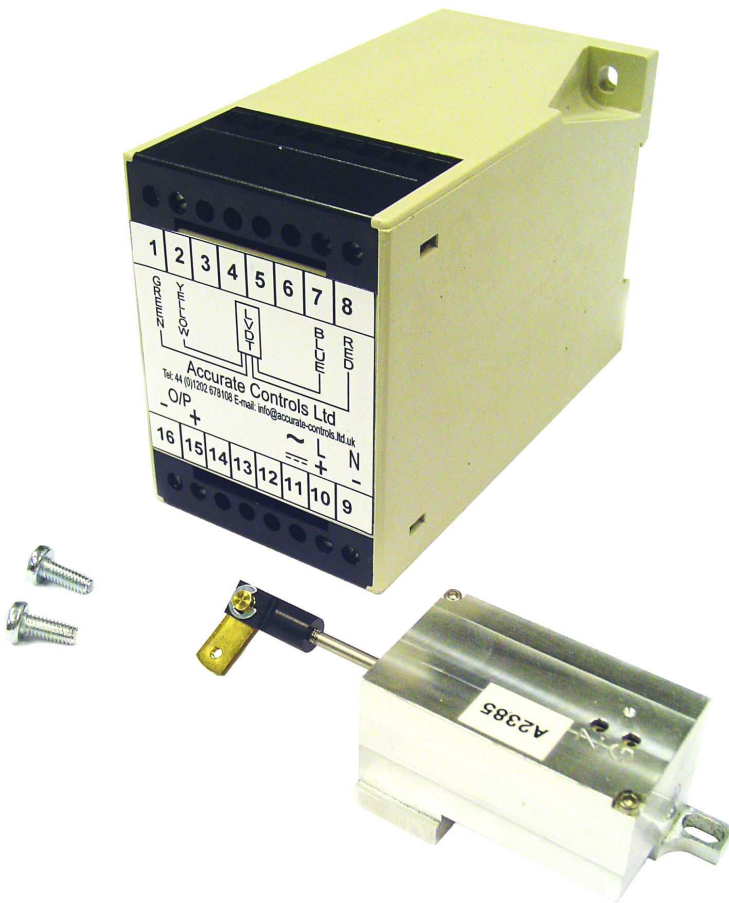


ANALOGUE OUTPUT KIT FOR A200 CONTROLLERS

Instrument Specification

LV5-200

Retrofittable 4-20mA or 0-10mA analogue output transducer for installation on A200 temperature controllers.



- Specifically for A200 temperature controllers
- Industry standard outputs in the range of 0-20mA available
- No repositioning of existing instrument components required
- User selectable output range
- User adjustable span and zero
- No alteration to instrument case required
- Universal DIN or surface mounted universal power supply
- On-site fitting, calibration and maintenance
- Full installation and maintenance instructions supplied.



Issued: June 2010

Accurate Controls Ltd.

25 Cowley Road, Nuffield Industrial Estate,
Poole, Dorset, BH17 0UJ, United Kingdom.
Tel: +44 (0)1202 678108
Fax: +44 (0)1202 670161
e-mail: info@accurate-controls.ltd.uk
web: www.accurate-controls.ltd.uk



© ACL 2010

Power Supply :

Universal input power supply
85-265V AC 47-63Hz
48-300V DC

Power pack mounting :

35mm top hat DIN rail
Surface mount with two off M4 fixing screws

Transducer :

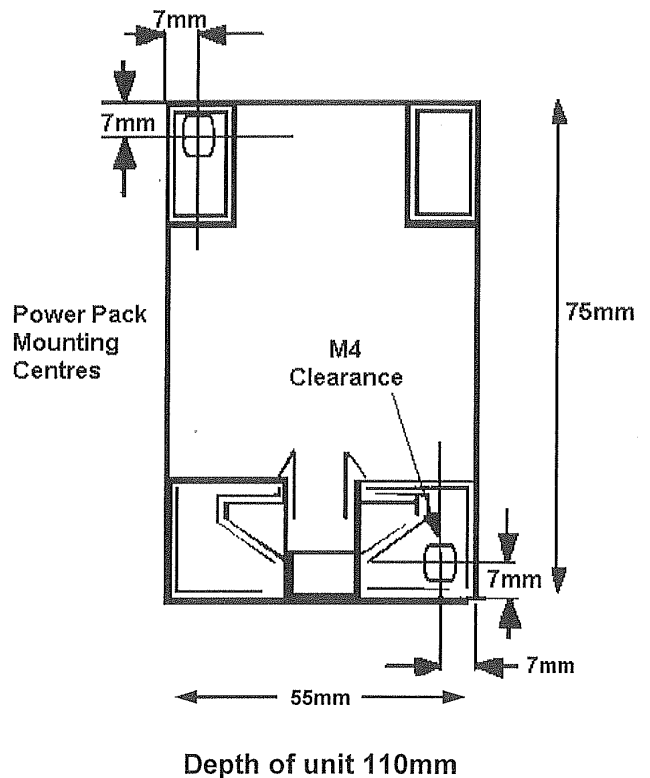
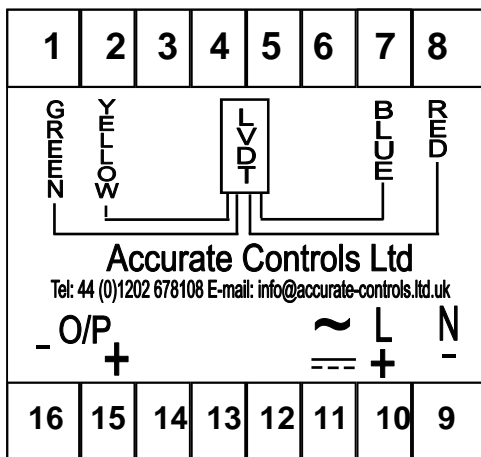
Transducer mechanically isolated from the instrument and does not affect the operating mechanism.

Output Ranges :

Adjustable for : 0-10mA or 2-10mA and 0-20mA or 4-20mA
Loop resistance : 300 ohms.

Options :

Installation Tools & Jigs Set available.
Part No. LV5-Install.
(Price available on request).



Full on site installation, calibration and maintenance service available.
Please contact Accurate Controls for technical assistance.