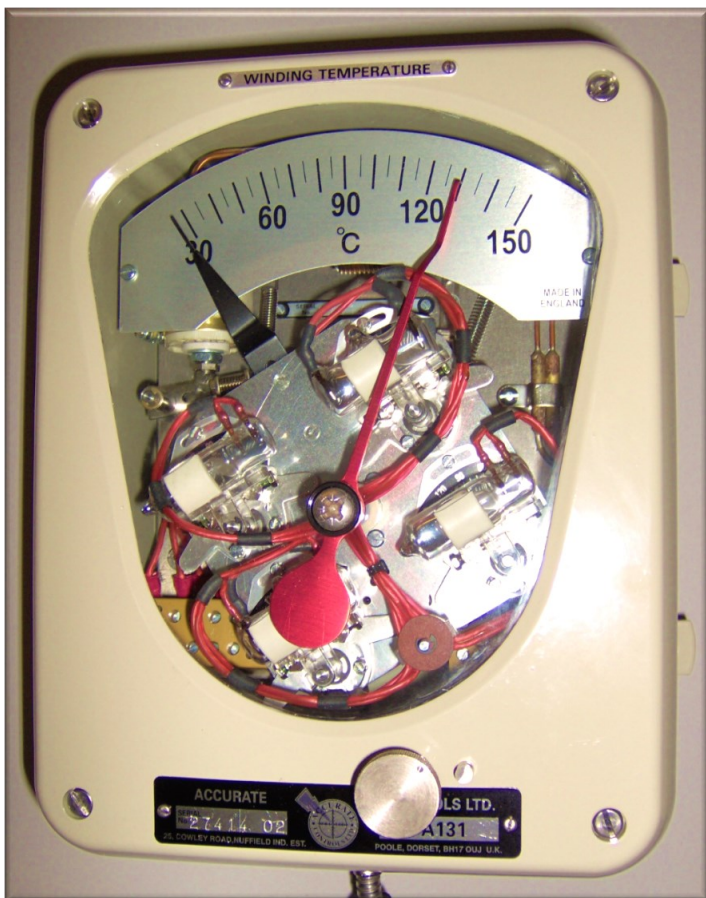


TEMPERATURE CONTROLLER

Instrument Specification

A131

**A precision, high current mercury switch,
Oil or Winding temperature controller for Alarm, Trip and
Cooler control with optional analogue output.**



- Configured as an Oil Temperature Indicator (OTI) or Winding Temperature Indicator (WTI) for simulation of transformer 'Hot Spot' temperature.
- ONAN/OFAF Dual gradient option
- Fully compensated for ambient temperature
- Max of 4 high current control switches (15 Amps)
- Self contained system
- Up to 60 metre capillary length
- Weatherproof case to IP55* (Higher specification versions available **)
- Maximum Pointer & choice of scale options
- Optional selectable analogue output
- Optional Switch Test Knob
- Optional laminated safety glass window with 99% UV blocking.
- Full Installation and Maintenance Instructions supplied
- 10 year warranty when supplied **& fitted** by Accurate Controls Ltd
- RoHS compliant by exemption



Accurate Controls Ltd.

25 Cowley Road, Nuffield Industrial Estate,
Poole, Dorset, BH17 0UJ, United Kingdom.
Tel: +44 (0)1202 678108

e-mail: info@accurate-controls.ltd.uk
web: www.accurate-controls.ltd.uk



Indicating Scale :

Length : 115mm (4.5")
Ranges : 0-120°C, 0-150°C, 0-180°C, 30-150°C
Accuracy : $\pm 1.5\%$ FSD

Accuracy of Indication :

To Class 1: EN13190:2001

Electrical Connections :

Full circuit diagram supplied .
All circuits insulation tested with 2000 V AC.
Terminal block conductor size: 0.5 – 4.5mm²

Switch Configurations :

Maximum 4 Normally Open or Normally Closed
Switch Type: 8A @ 250V AC/DC (B115)
Switch Type: 15A @ 250V AC/DC (B916)

Changeover Switches selectable by user for operation as normally open or normally closed.:

3 Wire Common Supply Connection.
Switch Type: 5A @ 250V AC/DC (B1886)

4 Wire Independent Supply connection.
Switch Type: 5A @ 250V AC/DC(B1895)

Switch Combinations:
Maximum '4' in any configuration.

Winding Temperature simulation (where fitted)

Factory set gradients to customer specification
Dual ONAN and OFAF gradients.
Overload protection to 200% load
Matching unit not required
Suitable for 10A CT currents

RoHS Compliant by Exemption:

The product qualifies for one of the specific exemptions as set out in the Annex to the RoHS Directive.

Analogue Output (where fitted) :

0-10, 0-20, 2-10 & 4-20mA analogue output for interfacing with industry standard SCADA, substation control systems. (also digital or analogue meters are available upon request)

Includes external DIN rail mounted power pack with universal input voltage:

85-265V AC 47-63Hz or 70 - 360 V DC

Lower DC input voltage range available by special request

Standard Case :

Aluminium.
Powder coat paint.
Electrical entry point: rear & bottom
Surface or flush mount
*Weatherproof to IP55—bottom entry capillary only

Capillary System :

Material: Capillary protected by stainless steel sheathing. Optional P.V.C. outer cover.

Length: 2 to 60 metres.

Case entry point: Top, rear or bottom

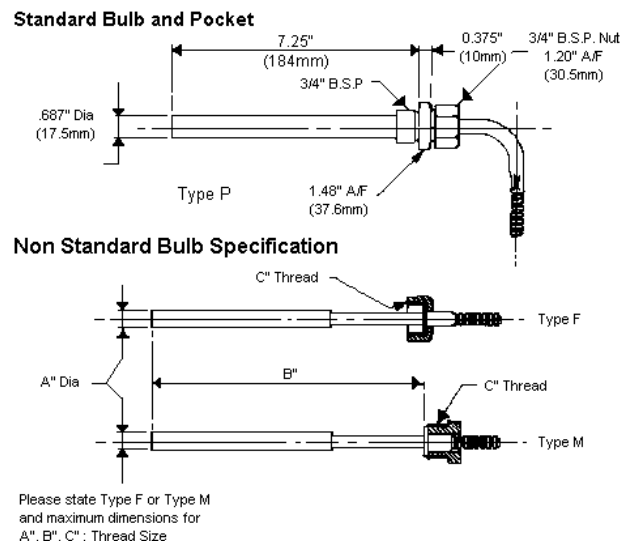
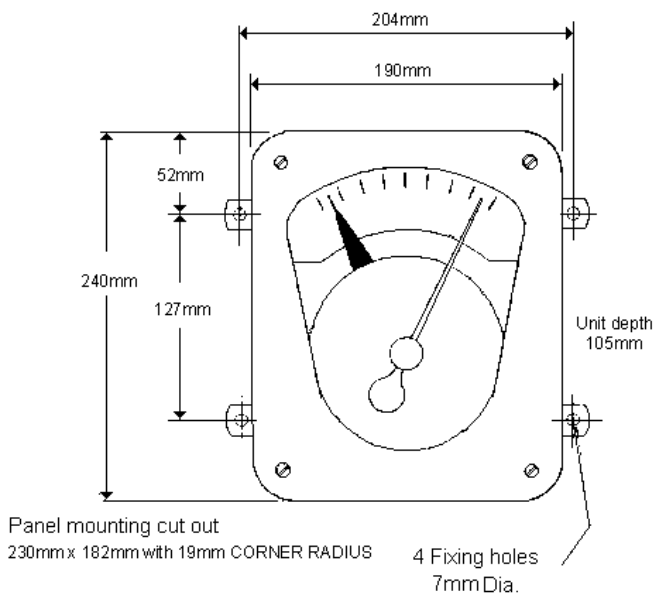
Ambient compensation as standard
Bulb and pocket to suit customer requirements.

Options :

Switch test knob with or without wire locking facility.
Anti-condensation heater.
Anti-vibration mountings.
Laminated safety glass window with 99% UV Blocking

** PVC coated capillary & stainless steel cases are available should the environment require it.
Contact factory for details.

Full on site installation, calibration and maintenance service available.
Please contact Accurate Controls for technical assistance.



INSTRUMENT SPECIFICATION SHEET

Quotation Request

A131

For replacement of an existing instrument please advise serial number if known

Customer reference

Qty required **Delivery required**

Case Mounting Surface Flush / Panel inset
Case Window Standard Acrylic Laminated Glass 99% UV blocking*
Case Finish Standard Painted (Normal Environments) Customer specified (comments box)

Note: Stainless Steel cases are available see A131S data sheet*

Capillary Length (metres) Min 2 metre Max 60 metre

Capillary Type 304 Stainless Steel Sheathed
 304 Stainless Steel & PVC sheathed (*Harsh environments)

Capillary Entry Bottom Top Rear
Electrical Cable Entry Bottom Rear

Bulb & Pocket Type Accurate Std Bulb A501 Matching Pocket A501P
 DIN 42554 Std Bulb
 Customer specified Bulb Diameter Thread Size
 Length Gender
 Customer specified matching Pocket Y/ N Mounting thread

Scale Range 0 -120°C 0 -150°C
 30 -150°C 0 -160°C

Instrument Type OTI WTI (Single gradient) WTI (Dual Gradient)
 If WTI, please fill in gradient details
 1st Gradient Natural cooling °C at Amps
 2nd Gradient Forced cooling °C at Amps

Instrument Label

Comments

Switch Options – select for each switch from table

Switch No	Part No.	Configuration	Switch No	Part No.	Configuration
1			3		
2			4		

Switch Option Table

A131 Mercury Switch Options			
Part No.	Description	Configurations	
B115	8 Amp SPST	NO	NC
B916	15 Amp SPST	NO	NC
B1886	5 Amp SPDT	3 wire changeover	
B1895	5 Amp DPDT	4 wire changeover	

Switch Test Knob Standard + stop at 115°C + wire lock post

Analog output for Remote Indication Yes mA output options 0-10mA 0-20mA
 No 2-10mA 4-20mA

Anti Vibration Mounts Y / N **Test Certificate** Y / N

Warranty:
12 months: supply only.
10 years: for Accurate Controls installed instruments.
 Please contact factory for installation quote.

* **Harsh or Hazardous Environment** Contact Factory for further information

Submitted by:

Name	Company & Address	Tel No.	E-mail

Accurate Controls Ltd

25 Cowley Road, Poole, Dorset, BH17 0UJ Dorset. England
 Tel: +44 (0) 1202 678180 email: info@accurate-controls.ltd.uk www.accurate-controls.ltd.uk

